

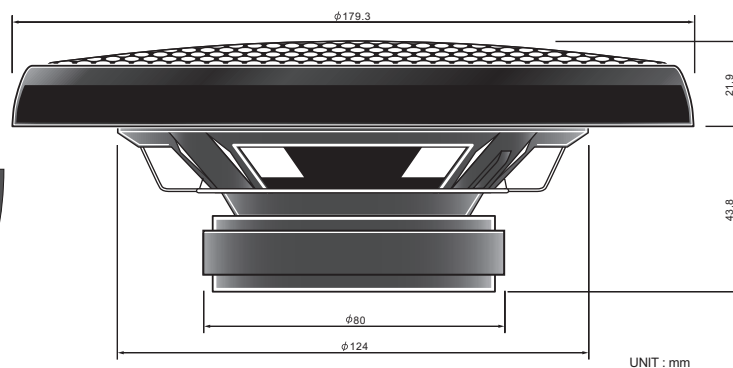
JVC

SERVICE MANUAL

CAR STEREO SPEAKER

CS-VP628

Service maintenance does not apply to this product.



Area Suffix
UF ----- China


SPECIFICATION

Type	16 cm (6-1/2") 2-Way Coaxial Speaker, Door/Rear mounting
Power Handling Capacity	150 watts (MAX. MUSIC POWER)
Impedance	4 Ω
Magnet Mass	228 g (8 oz)
Mass	0.82 kg (1.9 lbs)

Design and specifications are subject to change without notice.

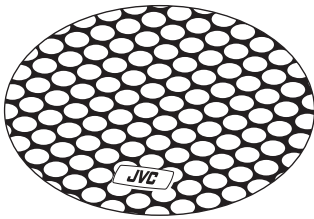
SECTION 1 PRECAUTION

1.1 Safety Precautions

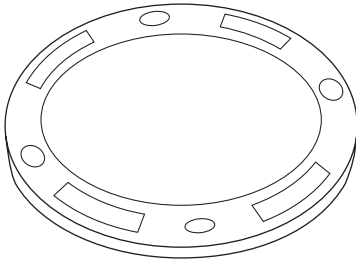
 **CAUTION** Burrs formed during molding may be left over on some parts of the chassis. Therefore, pay attention to such burrs in the case of performing repair of this system.

SECTION 2 SPECIFIC SERVICE INSTRUCTIONS

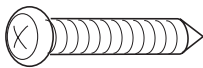
2.1 ACCESSORIES



Metal Net ----- x 2



Grille ----- x 2



Screw ($\phi 4 \times 25$ mm) ----- x 8



Speed Nut ----- x 8



Speaker Cord (4 m) ----- x 2

**SECTION 3
DISASSEMBLY**

This service manual does not describe DISASSEMBLY.

**SECTION 4
ADJUSTMENT**

This service manual does not describe ADJUSTMENT.

**SECTION 5
TROUBLE SHOOTING**

This service manual does not describe TROUBLE SHOOTING.



JVC

VICTOR COMPANY OF JAPAN, LIMITED

AV & MULTIMEDIA COMPANY MOBILE ENTERTAINMENT CATEGORY 10-1,1chome,Ohwatari-machi,Maebashi-city,371-8543,Japan

(No.MA023)



Printed in Japan
WPC